



DBK25™

8-Channel Relay-Output Card

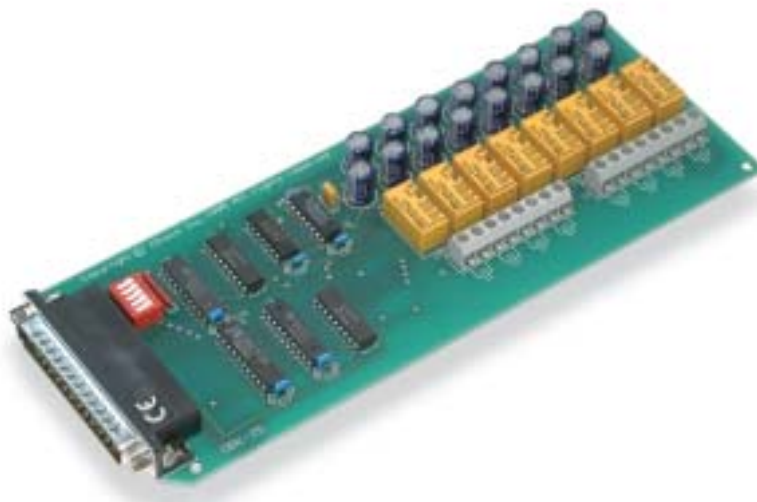


Compatibility: ✓ LogBook ✓ DaqBook ✓ DaqLab ✓ DaqScan ✓ DaqBoard/2000 Series

Features

- Provides eight independent relay contact outputs
- Requires minimal system power

The DBK25™ 8-channel relay-output card provides IOtech's data acquisition systems with 8 fully independent relay contact outputs. Because the DBK25 is designed for use in portable as well as desktop applications, it employs miniature latch relays that draw power only when changing states, i.e., when changing from off-to-on or from on-to-off. This minimal power consumption makes the DBK25 ideal for applications that rely on battery power. The DBK25 relay contacts are rated for 2A at 28 VDC or 0.6A at 120 VAC. As many as 24 DBK25s can be used in one system to obtain 192 outputs.



The DBK25 provides eight fully independent relay contact outputs

Specifications

Connectors: DB37 male, mates with P2*; screw terminals for signal outputs

Number of Channels: 8

Max. Number of Cards: 32

Contact Rating:

2 A @ 28 VDC &

0.6 A @ 120 VAC

Isolation

Channel-to-System: 250V

Channel-to-Channel: 150V

Power Consumption: 10 mW

Ordering Information

Description

8-channel relay output card

Part No.

DBK25

Cables

For use with DBK10, use CA-37-x ribbon cable, or contact factory of additional cabling options

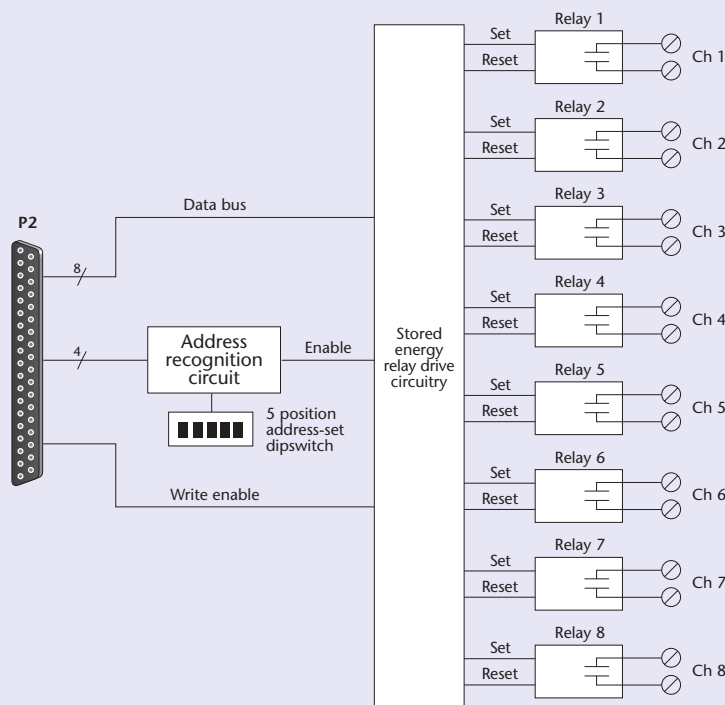
For use with DBK60 or LogBook360, no cable is required (except from DBK60 or LogBook/360 to the A/D mainframe)

For use with no enclosure, use CA-37-x where x is the number of DBK devices attached

For use with DaqLab series (internal slots), use CA-255-2T with one board, or CA-37-2 for use with two DBK cards (or contact factory for additional cabling options)

For complete information on accessories and cables, visit www.iotech.com/acc

DBK25 Relay-Output Card Block Diagram



* Attachment to the DaqBoard/2000 series requires a DBK200, DBK201, DBK202, DBK203, DBK205, or DBK209 adapter